



**User's and Installer's Manual**  
**Betriebs- und Montageanleitung**  
**Manuel d'utilisation et de montage**  
**Manual de utilización y instalación**

**Steca AJ 275 - 2400**

Sine Wave Inverter  
Sinus-Wechselrichter  
Onduleur Sinusoïdal  
Inversor Senoidal



<b>English description .....</b>	<b>4</b>
Introduction	4
Warning	4
Installation	4
Fitting the inverter	4
Connection	5
Connecting the consumer devices	5
Equivalent schema	5
Connecting the battery	5
Use	6
Model with stand-by system	6
Safety	7
Maintenance	7
Warranty limit	8
Limits of manufacturer liability	8
JT8 Remote control for AJ 1000-2400	8
Technical data	9
<b>Deutsche Beschreibung .....</b>	<b>10</b>
Einführung	10
Vorsicht	10
Installation	10
Befestigung des AJ	10
Anschluss	11
Anschluss der Verbraucher	11
Prinzipschema	11
Anschluss der Batterie	12
Anwendungen	12
Lasterkennungsschaltung „stand-by“	13
Sicherheiten	13
Unterhalt	14
Garantieausschluss	14
Haftungsausschluss	14
JT8 Fernsteuerung für AJ 1000-2400	15
Technische Daten	16
<b>Instructions en français .....</b>	<b>17</b>
Introduction	17
Mise en garde	17
Installation	17
Fixation de l'onduleur	17
Raccordement	17
Raccordement des consommateurs	18
Raccordement de la batterie	18
Utilisation	19

Modèles avec stand-by	19
Sécurités	20
Maintenance	20
Exclusion de la garantie	21
Exclusion de la responsabilité	21
J T8 Commande à distance pour AJ 1000-2400	21
Données techniques	22
<b>Descripción en español .....</b>	<b>23</b>
Introducción	23
Atención:	23
Instalación	23
Fijación del AJ	23
<b>Conexión .....</b>	<b>24</b>
Conexión de los usuarios	24
Esquema básico de conexiones	24
Conexión de la batería	24
Aplicaciones	25
Manejo e indicaciones	25
Tecla ON/OFF	25
Señales acústicas	25
Reconocimiento de carga con stand by	25
Seguridad	26
Mantenimiento	26
Exclusión de garantía	27
Exoneración de responsabilidad	27
<i>JT8 Control remoto para los AJ 1000-2400</i>	27
Données techniques	28

# English description

## Introduction

The sine wave inverters of the AJ series have been designed to meet industrial and domestic needs. They meet the highest requirements of comfort, safety and reliability. Any device designed for the public electrical network of 230 V 50 Hz can be connected to them (up to the nominal power of the inverter). The AJ series is the perfect source of voltage in any place where the public network is not available.

This document is an essential part of the inverter and must always be carried with it and be at the disposition of anyone working on the installation.

Should you have any doubt or question, do not hesitate to contact your specialist salesperson who will give you the best advice.

## Warning

A deficient assembly could result in damage to the device, cause function failures or potential damage to the users.

The working device generates a high voltage which might be lethal in case of contact. So, any manipulation of the inverter must be carried out with utmost care.

## THE OWNER MUST NOT MANIPULATE ANY PIECE INSIDE THE INVERTER.

Opening the inverter or using it incorrectly will result in the immediate loss of the warranty.

No current or tension generating device (public grid, generator,...) may be connected to the outlet of the inverter because this could result in its destruction.

The inverter AJ is to be used only with a lead battery. As for the use of batteries, follow the manufacturer's instructions.

## Installation

The AJ sine wave inverter is an electronic device, for which some caution must be taken when installing it:

Place where the inverter is to be installed:

Out of reach of unauthorised persons, specially children.

In a dry place (max. 95% humidity), and in any case with no condensation.

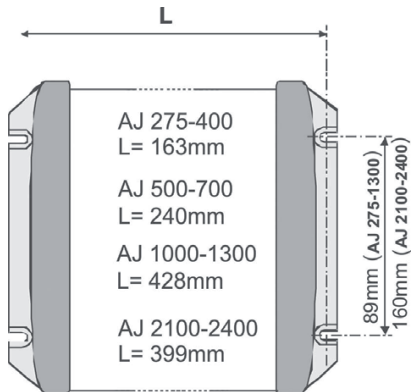
Not directly on top of the batteries.

Ventilation must be free, and a space of 10 cm. on each side is needed for good evacuation of the internal heat.

No easily inflammable material should be placed directly underneath or close to the AJ

## Fitting the inverter

The inverter is fitted on a non flammable surface by screws (max. 4mm for AJ 275-AJ 1300 or max. 8mm for AJ 2100 and 2400) using the four holes provided. The fitting screws are not supplied with the inverter. It may be fit into any position.



## Connection

The connection of the inverter should be done with utmost care. First connect the consumer devices so as to prevent any further contact once the 230 V voltage is present. The technical data and connection's description is either under one side of the inverter or onto the cable connection side. Installation is to be made only by authorised persons.

## Connecting the consumer devices

The AJ inverter is supplied with a 230 V cable for the consumer devices. This connection must be done observing the colours:

Yellow-green: earth

Brown: phase

Blue: neutral

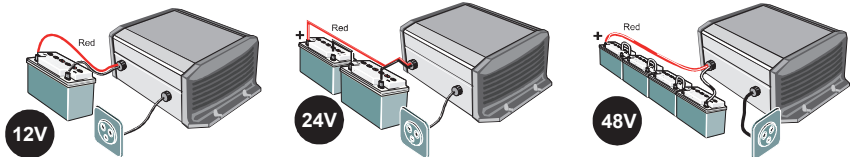
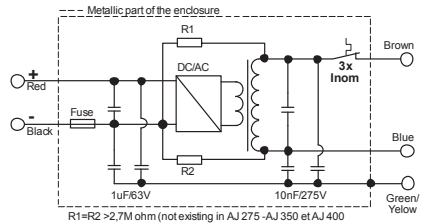
Once the consumer devices are connected, make sure that they are turned off before connecting the battery

## Note

An Inverter constitutes an independent power supply from the grid and could be considered in the same way as a generator set. The phase and the neutral are not differentiated. The voltage in between the phase and the

neutral is 230V. An appropriate divisor establishes a 115V voltage in between neutral and earth, and the phase and earth. According to the local prescriptions or particular requirement, (example: use of a ground fault detector) a true neutral may be established by connecting the neutral and the earth wire together. The so connected point, may be connected with an existing earth: earth of building; the chassis of vehicle or the hull of ship.

## Equivalent schema



## Connecting the battery

Once the consumer devices are connected, make sure that the installations instructions of the 230V has been followed with utmost care **before connecting the battery**.

The cable of the battery is supplied with the inverter and already connected in it.

A fuse must be installed on the battery.

Connect the battery observing carefully the polarity.

The AJ inverter, **except AJ 2100-12**, is protected against inversion reverse polarity by a fuse, but if the polarity should be inverted, the inverter must be sent to the manufacturer for control.

Connect the battery using the following colours:

BLACK cable: negative pole (-)

RED cable: positive pole (+)

For AJ 275-400, dominant colour is applicable

When connecting the battery, there is a spark (**Danger of explosion!**), because of the charging of the internal filtering capacitors.

**Check that the cables are well adjusted and well tightened.**

As long as it is possible, do not extend the cables supplied with the batteries. Extending them may increase the losses and cause malfunction of the inverter.

Once the inverter is connected to the batteries, a 230 V voltage is present in the outlet of the inverter.

## Use

### Control and indicators

#### Control switch on/off

There is a switch on the inverter to activate or deactivate it. Use this function to save the energy of the batteries when you are not using the inverter.

#### Green indicator

A green light on the inverter indicates its function mode:

**Illuminated:** a 230 V voltage is present in the outlet, the inverter is on.

#### Blinking:

— — — : No load (stand-by)

— — — : the 230 V voltage has been cut due to an alarm; the inverter will resume function when the failure has disappeared (see the failure table).

**Off:** the 230 V voltage is NOT present in the outlet, the inverter is off.

#### Acoustic indicator

The AJ inverter has an acoustic indicator for the following instances:

*Intermittent beep:* there is a failure in the inverter and the outlet voltage will be interrupted.

Possible failures:

Overheat: the acoustic indicator beeps 3 °C before cutting the tension. If the temperature

reaches its normal level, the voltage in the outlet is not interrupted.

Low battery voltage: the indicator beeps for a minute before the interruption. If the voltage of the battery rises, the outlet voltage is not interrupted.

*Continuous beep for two seconds:* you have pressed the ON/OFF switch to restart the inverter. The tension in the outlet will be immediately present after the acoustic signal.

### Model with stand-by system

The inverters from the AJ 500-12 are equipped with a stand-by system which is in function when no load is connected. In that situation the inverter is in low power consumption mode.

The output tension is not continuously present and the LED is blinking as long as no load is detected.

The minimal load detected can be adjusted between 1 and 20 W. **In most cases this adjustment is not necessary.** This adjustment is made with a small screw driver in the hole marked stand-by. This adjustment is made with a small screw driver in the hole marked stand-by. Adjusting the switching-on level is as follows: Switch off all consuming devices; turn the Turning Knob to the Left (counter-clockwise) until the LED is blinking, switch ON the smallest consuming device (i.e. Mobile phone charger); turn the Turning Knob slowly to the right until LED is lit continuously. Check that the inverter will go back in stand-by mode when you remove the load. If not, this means that the load is too small to be detected.

If the stand-by is not required, turn the Knob fully to the right.

In the full counter clockwise position, the sensibility is minimal (20 W). Do not push on the screw driver.

NOTE: in this mode the output voltage is intermittently present at the output

## Safety

The inverter is electronically protected. But protection against polarity inversions of the battery occurs with an internal fuse, **except for AJ 2100-12 inverter, which has no fuse**. The following table will show you the different failures and their consequences.

FAILURE	CONSEQUENCE	SOLUTION
Low battery voltage Voltage < 1.8V/cell	Inverter momentarily stopped, the green indicator blinks.	Automatic restart when the battery voltage rises
Deep discharged battery (voltage <1,5V/cell)	Inverter stopped	Inverter should be manually restarted when the battery as reach 2V/cell
Overheating	Inverter momentarily stopped, the green indicator blinks.	Automatic restart when the temperature reaches the normal range.
Battery over voltage	Inverter stopped.	Wait until the battery voltage reaches the correct level. Push the ON/OFF switch to reactivate the inverter
Short circuit in the outlet	Inverter stopped.	Eliminate the short circuit. Push the ON/OFF switch to reactivate the inverter.
Overload	Inverter stopped.	Use the inverter only in the range of its nominal power. Regular use in overload power diminished the lifetime of the inverter. Push the ON/OFF switch to reactivate the inverter.
Inversion of the battery polarity	Internal fuse broken down	Back to manufacturer for testing

## Maintenance

The inverters of the AJ series do not need any special maintenance. The casing may be cleaned with a damp cloth (not wet). In the case of malfunction, the inverter should be sent back to the manufacturer for control in its original packing.

Before sending the inverter, check the table above.

The battery is loaded and is in accordance to the inlet nominal tension of the device.

The consumer devices do not have any defects or overload for the inverter.

Should you contact your salesperson, note the following points before calling:

(you will find this information on the label underneath the inverter)

- Series number
- Power of the inverter
- Inlet nominal voltage of the inverter

**Before sending back the inverter, do take care that it is well packed. The inverter must be in a stiff carton box and be well protected on all sides by mean of an anti-shock and isolating layer of min. 5cm thickness.**

**The damages occurring during the transport are not covered by the warranty.**

### Warranty limit

The warranty period is 2 years.

It will be considered void if the unit has suffered any physical damage or alteration, either internally or externally, and does not cover damage arising from improper use like:

- Reverse of battery polarity
- Inadequate input voltage (over voltage)
- Back-feed of the inverter output by public network, generator or any other source.
- Mechanical shock or deformation especially by transport due to an inadequate package.
- Contact with liquid or oxidation by condensation
- Use in inappropriate environment (dust, corrosive vapour, humidity, high temperature,...)

### JT8 Remote control for AJ 1000-2400

Functions on remote control are the same as control and indicator on the inverter (see chapter Use)

**Remote control should be connected with the inverter with the original 10m. STECA GMBH cable or any RJ11/6p 1:1 cable up to max 50m.**

This warranty will not apply where the product has been misused, neglected, improperly installed, or repaired by anyone other than STECA GMBH or a company authorised by STECA GMBH. In order to qualify for the warranty, the product must not be disassembled or modified.

### Limits of manufacturer liability

STECA GMBH cannot control the installation, use and maintenance of the inverter. Thus, we are not responsible for damages, costs or losses resulting from an installation which is not in accordance with the regulations or inappropriate use or maintenance.

The customer is always responsible for the use of the inverters STECA GMBH.

This device has not been designed and is not warranted for use in life support apparatus or any other critical device with potential risks of important harm to people or to the environment. We do not accept any responsibility for any violation of patent rights or other third person rights resulting from the use of the inverter.

STECA GMBH keeps the right to modify their products without previous notice.





## Technical data

<b>MODEL</b>	<b>AJ 275</b>	<b>AJ 350</b>	<b>AJ 400</b>	<b>AJ 500</b>	<b>AJ 600</b>	<b>AJ 700</b>
Battery voltage (V)	12	24	48	12	24	48
Input voltage (V)	10.5 - 16	21 - 32	42 - 64	10.5-16	21 - 32	42 - 64
Continuous / 30' power (VA)	200/275	300/350	300/400	400/500	500/600	500/700
Stand-by / ON @ no load (W)	0.3*/2.4	0.5*/3.5	1.1*/5.2	0.4/4.6	0.6/7.2	1.5/12
Maximum efficiency (%)	93	94	94	93	94	94
Dim. 142 x 84 x L (mm) L=	163			240/252		
Weight (kg)	2.4	2.6	2.6	4.5		
Remote control plug (RCM-01)	Option			Option		
Load detect. (Stand-by) 1-20 W	with option S			Yes		

<b>MODEL</b>	<b>AJ 1000</b>	<b>AJ 1300</b>	<b>AJ 2100</b>	<b>AJ 2400</b>
Battery voltage (V)	12	24	12	24
Input voltage (V)	10.5 - 16	21 - 32	10.5 - 16	21 - 32
Continuous / 30' power (VA)	800/1000	1000/1300	2000/2100	2000/2400
Stand-by / ON @ no load (W)	0.7 / 10	1.2 / 13	0.7 /16	1.2/16
Maximum efficiency (%)	93	94	92	94
Dim. 142 x 84 x L (mm) L=	428		273 x 399 x 117	
Weight in kg. (approx.)	8.5		19	18
Remote control (JT8)	Option		Option	
Load detect. (Stand-by) 1-20 W	yes		yes	

Output voltage	Sine wave 230V 0/-10% (115V 0/-10%)
Frequency	50 Hz +/- 0.05 % (60 Hz +/-0.05%)
Ventilation	From 45° C
Overheating protection	yes
Overload protection	yes
Short circuit protection	by fuse
IP protection index	IP 30 (AJ 2100-2400 = IP 20)
Cos φ	0.1-1
E norm (ECE-R 10)	All models in 12 and 24V are certified

# Deutsche Beschreibung

## Einführung

Die Wechselrichter der Serie AJ sind für den Betrieb von allen handelsüblichen 230V Geräten konzipiert worden. Die AJ genügen den höchsten Anforderungen an Zuverlässigkeit, Sicherheit und Komfort. Jedes für das 230V-Wechselstromnetz geeignete Gerät kann auch mit einem AJ betrieben werden.

Ein AJ ist die ideale Spannungsquelle überall da wo das öffentliche Netz nicht hinführt. Diese Beschreibung ist in jedem Fall Teil der Lieferung eines AJ. Sie muss allen Personen welche mit einem AJ arbeiten zur Verfügung stehen!

Bei eventuellen Fragen oder Unklarheiten kann Ihnen der Händler Auskunft geben

## Vorsicht

Eine falsche Behandlung oder Montage des Wechselrichters kann schwerwiegende Folgen haben!

Der AJ erzeugt eine 230V-Sinusspannung wie im öffentlichen Stromnetz. Jegliche Berührung kann fatale Folgen haben! Die Installationsarbeiten mit dem Wechselrichter AJ verlangen besondere Aufmerksamkeit und dürfen nur von geschultem Personal ausgeführt werden und müssen in jedem Fall den jeweils gültigen Installationsvorschriften entsprechen.

Der AJ darf in keinem Fall geöffnet werden. Das Öffnen oder die nicht konforme Anwendung des AJ bedeuten den Verlust jeglicher Garantieansprüche. Der AJ darf mit keiner anderen Spannungs- oder Stromquelle als mit Bleibatterien betrieben werden.

Am Ausgang des AJ dürfen keine Spannungs- oder Stromquellen wie Notstromgeneratoren, das öffentliche Netz usw. angeschlossen werden, da der Wechselrichter zerstört werden könnte.

**Der Einsatz von Batterien verlangt besondere Vorsicht. Befolgen Sie darum unbedingt die Richtlinien des Batterieherstellers.**

## Installation

Der Sinuswechselrichter AJ ist ein elektronisches Gerät. Für dessen Installation sind darum einige Vorsichtsmassnahmen zu beachten.

Der Montageort sollte gegen unbefugten Zugriff gesichert sein (vor allem auch vor Zugriff von kleinen Kindern).

In einem trockenen Raum mit einer Luftfeuchtigkeit von max. 95% ohne Kondensation.

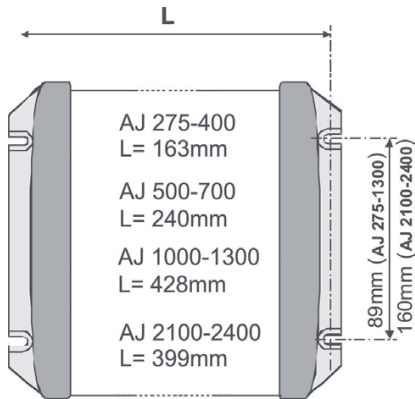
Nicht direkt über der Batterie.

Bei den Lüftungsein- bzw. Auslässen muss für eine unbehinderte Lüftung 10cm Freiraum belassen werden.

In der Umgebung des Wechselrichters darf sich kein leicht brennbares Material befinden oder darunter gelagert werden.

## Befestigung des AJ

Der Wechselrichter kann, auf einer nicht brennbaren Unterlage, mit Hilfe von 4 Schrauben (Durchm. max. 4mm für AJ 275-AJ 1300 oder Durchm. max. 8mm für AJ 2100 und 2400) in jeder beliebigen Lage montiert werden. Für die Befestigung dürfen nur die 4 von aussen zugänglichen Löcher verwendet werden. Die Befestigungs-Schrauben sind nicht beigelegt.



Ausgang muss entsprechend den folgenden Farben angeschlossen werden.

Gelb-/Grün : Erdleiter

Braun : Phase

Blau : Neutral

Vor dem Anschluss der Batterie muss darauf geachtet werden, dass die angeschlossenen Verbraucher ausgeschaltet sind.

**Bemerkung :** Ein Wechselrichter ist eine vom Netz unabhängige Spannungsquelle Vergleichbar mit einem Notstromgenerator. Phase und Neutralleiter können darum vertauscht werden. Zwischen Phase und Neutralleiter liegt die Spannung von 230V. Zwischen Phase und Erde sowie zwischen Neutral und Erde liegen jeweils 115V an. Je nach Installationsvorschriften können Neutral-Leiter und Erde verbunden werden.

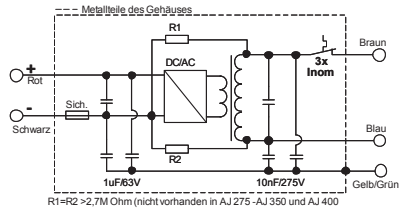
## Anschluss

Der Anschluss des AJ muss mit besonderer Vorsicht ausgeführt werden. Eine sichere und einwandfreie Funktion der Anlage wird dadurch gewährleistet. Die Gerätedaten und die Anschlussbezeichnung befinden sich auf der Gehäuseunterseite oder auf der Kabelanschlussseite. Vor dem Anschluss des AJ an die Batterie muss das Kabel OUT 230V mit einer Steckerkupplung (weiblich) versehen werden oder bei einer festen Installation muss der Anschluss entsprechend den Installationsvorschriften von geschultem Personal ausgeführt werden.

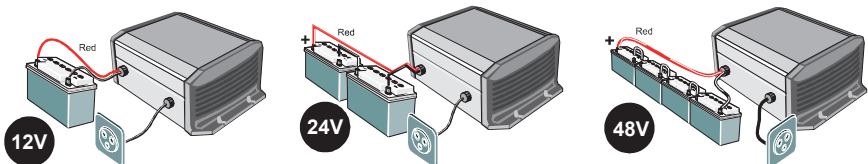
## Anschluss der Verbraucher

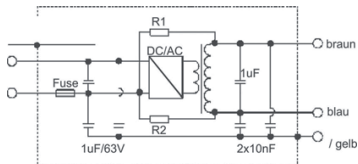
Der Wechselrichter AJ wird mit bereits angeschlossen Kabeln geliefert. Das schwarze 3-adrige Kabel für den 230V-

## Prinzipschema



## Prinzipschema





R1=R2= 2,7M ohm (nicht ausger. in AJ 275 - AJ 350 - AJ 400)

## Anschluss der Batterie

Vor dem Anschluss der Batterie muss sichergestellt sein, dass die 230V Installation **vorschriftsgemäss ausgeführt wurde.**

**Der AJ wird mit angeschlossen Batterie-kabeln geliefert. Beim Anschliessen der Batterie muss unbedingt auf die richtige Polarität geachtet werden. Die AJ, mit Ausnahme des AJ 2100-12,** sind wohl durch eine Sicherung gegen Verpolung geschützt.

Für einen eventuellen Sicherungswechsel muss der AJ zur Kontrolle an den zuständigen Händler gebracht werden.

Draht Schwarz: -Minus-Pol

Draht Rot : + Plus-Pol

Für die Kabel den AJ 275-350-400 gelten die jeweils dominierenden Farben!

Den AJ an die Batterie anschliessen. Beim Anschliessen der Batterie entsteht ein Funken (**EXPLOSIONSGEFAHR!**) wegen der Ladung der internen Kondensatoren. Die Batterie muss mit einer Sicherung auf der Batterieklemme versehen sein!

**Kontrollieren Sie, dass die Anschlüsse gut festgeschraubt sind.**

Die Batteriekabel sollten nicht verlängert werden. Eine Verlängerung der Batteriekabel bedeutet grössere Verluste und oder Funktionsstörungen des AJ und somit auch der angeschlossenen Geräte.

Sobald der AJ an der Batterie angeschlossen wird, ist er eingeschaltet und es liegen 230V am Ausgang.

## Anwendungen

### Bedienung und Anzeigen Steuertaste on/off

Mit der Drucktaste kann der AJ ein- und ausgeschaltet werden. Schalten Sie den Wechselrichter mit dieser Taste aus, wenn Sie keine Energie brauchen.

### Grüne Leuchte

Eine grüne Leuchtdiode (LED) zeigt den Funktionszustand des Wechselrichters an.

**LED leuchtet :** Der Wechselrichter ist in Funktion - am Ausgang liegen 230V.

### LED blinkt :

— — — : Der Wechselrichter ist im Stand-by-Betrieb.

— — — : Der Wechselrichter ist wegen eines Alarms vorübergehend ausgeschaltet. Nach verschwinden des Alarms schaltet sich der Wechselrichter automatisch wieder ein. (Die möglichen Alarmgründe sind auf der folgenden Tabelle aufgeführt.)

**LED gelöscht :** Der Wechselrichter ist ausgeschaltet, am Ausgang liegt keine 230V-Spannung.

### Akustischer Signalgeber

Der Wechselrichter AJ ist mit einem akustischen Signalgeber ausgerüstet welcher in folgenden Fällen piept :

**Intermittierender Ton :** Signal, dass der Wechselrichter sich im Alarmzustand befindet und demnächst die Ausgangsspannung abschalten wird.

Mögliche Fehler :

**Überhitzung :** Alarm 3°C bevor der Wechselrichter abschaltet. Einen Teil der Last abschalten, damit der Wechselrichter nicht mehr überlastet ist und sich abkühlen kann.

**Unterspannung der Batterie :** Wenn die Batteriespannung zu tief fällt, pfeift der Signalgeber eine Minute lang bevor der Wechselrichter abschaltet.

*Dauerton während 2 Sek. :* Warnsignal, dass 2 Sekunden nach dem Einschalten mit der Taste ON/OFF der Wechselrichter einschaltet, und dass an dessen Ausgang 230V anliegen !

## Lasterkennungsschaltung „stand-by“

Alle Wechselrichter ab AJ 500-12 sind mit einem Stand-by-System ausgerüstet. Um die Batterie nicht unnötig zu entladen, schaltet sich der Wechselrichter automatisch aus, wenn kein Verbraucher angeschlossen ist, und automatisch wieder ein, wenn ein Verbraucher eingeschaltet wird. Die LED blinkt, wenn der Wechselrichter im Stand-by-Modus ist. Der Einschaltpegel kann mit dem Drehknopf „STAND-BY“ mit einem kleinen Schraubenzieher eingestellt werden. Das

Einstellen des Einschaltpegels geschieht folgendermassen: Sämtliche Verbraucher ausschalten; Den Drehknopf nach links (Gegenuhrzeiger) drehen bis die LED blinkt; den kleinsten Verbraucher einschalten (z.B. Ladegerät für das Mobiltelefon); Drehknopf langsam nach rechts drehen bis die LED leuchtet. Danach zur Kontrolle diesen kleinen Verbraucher ausschalten der Wechselrichter muss nach einigen Sekunden wieder im Stand-by-Modus arbeiten. Geschieht dies nicht, ist die Last des Verbrauchers zu klein um erkannt zu werden.

Ist der Stand-by- Modus nicht erwünscht, muss der Drehknopf ganz nach rechts gedreht werden.

VORSICHT: Auch im Standby Modus liegen am Ausgang zeitweise 230V an!

## Sicherheiten

Die Wechselrichter AJ sind mit diversen elektronischen Systemen geschützt. Als Schutz gegen Verpolung dient eine Schmelzsicherung. **Der AJ 2100-12 enthält keine Schmelzsicherung und ist somit nicht gegen Verpolung geschützt!**

FEHLER	WIRKUNG	LÖSUNG
Batteriespannung zu tief	Wechselrichter ist vorübergehend gestoppt. Die grüne LED blinkt	Nach Wiederanstieg der Batteriespannung schaltet sich der Wechselrichter automatisch wieder ein
Batteriespannung war tiefer als 1,5V /Element	Wechselrichter gestoppt. Die grüne Leuchte ist aus	Das Wiedereinschalten ist erst wieder möglich, wenn die Batterie 2V/Zelle erreicht hat. Kein automatischer Start.
Überhitzung	Der Wechselrichter wurde überlastet die grüne LED blinkt	Automatischer Start des Wechselrichters nachdem dessen Temperatur gesunken ist
Überspannung der Batterie	Wechselrichter gestoppt.	Batteriespannung kontrollieren und richtige Spannung anlegen. Wechselrichter mit der Taste ON/OFF einschalten
Kurzschluss am Ausgang des Wechselrichters	Wechselrichter gestoppt	Kurzschluss entfernen(Installation kontrollieren). Wechselrichter mit der Taste ON/OFF einschalten
Überlastung des Wechselrichters	Wechselrichter gestoppt	Den Wechselrichter in den Grenzen seiner Nominalleistung verwenden. Regelmässiger

		Betrieb mit Überlast verkürzt die Lebensdauer ! Wechselrichter mit der Taste ON/OFF einschalten
Anschluss der Batterie mit falscher Polarität	Wechselrichter gestoppt, interne Sicherung zerstört	Wechselrichter zurück zum Händler zur Kontrolle !

## Unterhalt

Die Wechselrichter AJ benötigen keinen Unterhalt. Bei Bedarf kann das Gehäuse mit einem feuchten, nicht nassen Lappen gereinigt werden.

Bei Funktionsstörungen des Wechselrichters muss dieser **sehr gut verpackt** zur Kontrolle an den Händler zurückgesandt werden. Dasselbe gilt auch bei jeglicher äusseren Verformung des Gehäuses oder Verletzung der Anschlusskabel.

Bei Fehlfunktionen sollten folgende Punkte abgeklärt werden bevor der AJ zum Händler zurückgesandt wird :

Ist die Batterie geladen und entspricht die Batteriespannung der Eingangsspannung des AJ ?

Sind die angeschlossenen Verbraucher im Leistungsbereich des Wechselrichters ?

Ist der Verbraucher defekt oder ist dessen Anlaufstrom zu hoch ? (z.B. Kompressorkühlschränke können mit einem AJ 275-12 nicht betrieben werden)

Wenn trotzdem der Händler kontaktiert werden muss, notieren Sie bitte die folgenden Punkte : (Die Angaben finden Sie auf der Unterseite oder der Kabelanschlusseite des AJ)

- Seriennummer des Wechselrichters
- Leistung des Wechselrichters
- Die Nominalspannung des Wechselrichters

**Für das Versenden des AJ muss unbedingt auf eine gute Verpackung geachtet werden. Die Verpackung muss so ausgeführt sein, dass der AJ in einen festen Karton gelegt wird und von allen Seiten, auch unten von einem Stossdämpfenden Material mit mindestens 5cm Dicke umgeben ist**

**Durch mangelhafte Verpackung verursachte Transportschäden werden auf keinen Fall durch die Garantie abgedeckt.**

## Garantieausschluss

Die Garantiedauer beträgt 2 Jahre.

Für Schäden, welche durch Anwendungen, Manipulationen, Betriebsfälle und Behandlungen entstehen, welche nicht ausdrücklich in dieser Betriebsanleitung aufgeführt sind, können keine Garantieleistungen gewährt werden.

Nachfolgend eine Liste von Fällen für welche explizit keine Garantie gewährt wird.

- Überspannungen an den Eingängen (z.B. 48V am Batterieeingang eines AJ 275-12)
- Verpolung bei Batterieanschluss (+/- vertauscht)
- In das Gerät eingelaufene Flüssigkeiten oder Oxydation durch Kondensation
- Defekte durch mechanische Einflüsse
- Nicht ausdrücklich von STECA GMBH autorisierte Änderungen
- Nicht oder nur teilweise festgezogene Schrauben und Muttern nach Wechseln von Sicherungen oder Anschlusskabeln.
- Anschluss von anderen Energiequellen als PV-Modulen auf dem Eingang „SOLAR+/-“
- Transportschäden, z.B. durch unsachgemässe Behandlung oder Verpackung.

## Haftungsausschluss

Die Einhaltung der Betriebsanleitung und der Bedingungen und Methoden der Installation, dem Betrieb, der Verwendung und der Wartung dieser Geräte können von der Firma STECA GMBH nicht überwacht werden. Daher übernehmen wir keinerlei Haftung und Verantwortung für Schäden, Verluste und

Kosten, die aus fehlerhafter Installation, unsachgemäßem Betrieb oder falscher Verwendung und Wartung entstehen oder in irgendeiner Art und Weise damit zusammenhängen. Ebenso übernehmen wir keine Verantwortung für patentrechtliche Verletzungen oder Verletzungen anderer

Rechte Dritter, die aus der Verwendung dieses Gerätes entstehen.

Die Firma STECA GMBH behält sich das Recht vor, Änderungen der technischen Daten, des Produkts oder der Betriebsanweisung vorzunehmen.

## JT8 Fernsteuerung für AJ 1000-2400

Die Funktionen und Anzeigen der Fernsteuerung sind dieselben wie die im Wechselrichter (siehe Kapitel Anwendungen).

Die Fernsteuerung wird mittels des 10m langen mit der Fernsteuerung gelieferten Kabels angeschlossen. Die Verbindung ist auch mit handelsüblichen Steckern RJ11/6p 1:1 und einer maximalen Kabellänge von 50m möglich.



## Technische Daten

<b>MODELL</b>	<b>AJ 275</b>	<b>AJ 350</b>	<b>AJ 400</b>	<b>AJ 500</b>	<b>AJ 600</b>	<b>AJ 700</b>
Batteriespannung (V)	12	24	48	12	24	48
Eingangsspannungsbereich (V)	10.5-16	21-32	42-64	10.5-16	21-32	42-64
Dauer-/30' -Leistung/ (VA)	200/275	300/350	300/400	400/500	500/600	500/700
Stand-by/EIN bei Leerlauf (W)	0.3*/2.4	0.5*/3.5	1.1*/5.2	0.4/4.6	0.6/7.2	1.5/12
Max. Wirkungsgrad (%)	93	94	94	93	94	94
Abmessungen 142x84xL (mm)	163			240252		
Gewicht (kg)	2.4	2.6	2.6	4.5		
Fernsteuermöglichkeit (RCM-01)	Option			Option		
Lasterkennung (Stand-by)	mit Option S			vya		

<b>MODELL</b>	<b>AJ 1000</b>	<b>AJ 1300</b>	<b>AJ 2100</b>	<b>AJ 2400</b>
Batteriespannung (V)	12	24	12	24
Eingangsspannungsbereich (V)	10.5 - 16	21 - 32	10.5 - 16	21 - 32
Dauer-/30' -Leistung (VA)	800/1000	1000/1300	2000/2100	2000/2400
Stand-by/EIN bei Leerlauf (W)	0.7 / 10	1.2 / 13	0.7 / 15	1.2 / 16
Max. Wirkungsgrad (%)	93	94	92	94
Abmessungen 142x84xL (mm)	428		273 x 399 x 117	
Gewicht (kg)	8.5		19	18
Fernsteuerung (JT8)	Option		Option	
Lasterkennung (Stand-by)	ja		ja	

Ausgangsspannung	Sinus 230V 0/-10% (115V 0/-10%)
Frequenz	50 Hz +/- 0.05 % (60 Hz +/-0.05%)
Ventilator	Ab 45° C
Übertemperaturschutz	Ja
Überlastschutz	Ja
Kurzschlusschutz	ja
Schutzart	IP 30 (AJ 2100-2400 = IP 20)
Cos φ	0.1-1
E Norme (ECE-R 10)	Alle Modelle in 12 und 24V sind zertifiziert



# Instructions en français

## Introduction

Les onduleurs de la série AJ ont été conçus de manière à répondre aux besoins tant industriels que domestiques. Ils satisfont aux plus hautes exigences de confort, de sécurité et de fiabilité.

Chaque appareil conçu pour le réseau électrique 230 V 50 Hz peut s'y brancher sans aucun problème jusqu'à la puissance nominale de l'onduleur AJ.

La série AJ est la solution idéale comme source de tension partout où le réseau public n'est pas présent.

Ce document fait partie intégrante de l'onduleur, il doit être transmis à chaque livraison et tenu à disposition de toute personne travaillant sur l'installation.

En cas de doute ou de question, n'hésitez pas à contacter votre vendeur spécialisé qui saura vous renseigner.

## Mise en garde

Un montage incorrect peut endommager l'appareil, entraîner un mauvais fonctionnement ou mettre en danger les utilisateurs.

L'appareil en fonction génère de hautes tensions pouvant être fatales en cas de contact. Le travail sur l'onduleur doit faire l'objet d'une attention toute particulière. Les installations doivent être exécutées par du personnel compétent et répondre aux normes en vigueur.

## **AUCUNE PIECE A L'INTERIEUR DE L'ONDULEUR NE DOIT ETRE MANIPULEE PAR L'UTILISATEUR.**

L'ouverture de l'onduleur ou l'utilisation non conforme de l'onduleur entraîne **la perte immédiate de la garantie.**

Le AJ est prévu pour une alimentation avec des batteries à plomb uniquement.

Aucun appareil générateur de courant ou de tension ne doit être connecté à la sortie de l'onduleur car il peut entraîner la destruction de celui-ci (réseau public, génératrice, ...).

Pour l'utilisation des batteries, veuillez vous conformer aux directives d'utilisation du fabricant.

## Installation

L'onduleur sinusoïdal AJ est un appareil électronique ; quelques précautions sont nécessaires lors de sa mise en service :

### Lieu de montage de l'onduleur

A l'abri des personnes non autorisées, spécialement des enfants.

Dans une pièce sèche (max. 95 % d'humidité) et dans tous les cas sans condensation.

Pas directement au dessus des batteries.

Aucun matériel facilement inflammable ne doit être stocké dessous ou à proximité de l'appareil.

L'aération ne doit pas être obstruée et une distance de 10 cm de chaque côté est nécessaire à la bonne évacuation de la chaleur interne.

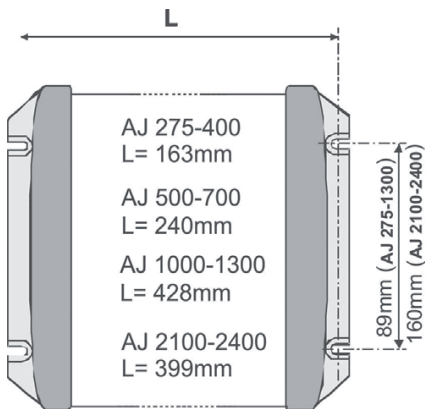
### Fixation de l'onduleur

L'onduleur peut être fixé sur une surface ininflammable à l'aide de vis de 4 mm de diamètre maximum, pour les AJ 275-AJ 1300 et de vis de 8mm maximum pour les AJ 2100 et 2400, dans les quatre rainures prévues à cet effet. Les vis de fixation ne sont pas fournies avec l'onduleur.

La position de l'onduleur n'est pas importante : elle peut être murale, de table ou suspendue.

## Raccordement

Le raccordement doit être l'objet d'une attention toute particulière. De celui-ci dépend le bon fonctionnement de toute l'installation. Les données techniques ou la description de raccordement se trouvent soit sur un des



côtés inférieurs de l'appareil ou du côté de l'embranchement du câble. Raccordez d'abord les consommateurs ou montez une prise de manière à éviter tout contact ultérieur une fois la tension 230 V présente. L'installation doit être exécutée par les personnes autorisées.

**Raccordement des consommateurs**

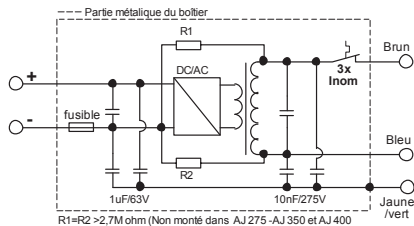
L'onduleur AJ est livré avec le câble 230 V pour alimenter les consommateurs. Celui-ci doit être raccorder en respectant les couleurs :  
 Jaune-vert : Terre  
 Brun : Phase  
 Bleu : Neutre

Une fois les consommateurs raccordés, veillez à ce qu'ils soient éteints avant de brancher la batterie.

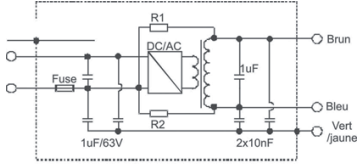
**Remarque :** Un onduleur constitue une source de tension indépendante du réseau à

considérer de la même manière qu'une génératrice. La phase et le neutre présentent une tension de 230V entre eux. La tension terre / neutre et phase / neutre est fixée à 115V par un diviseur capacitif. Selon les prescriptions locales ou les besoins, (par exemple utilisation d'un disjoncteur à courant de défaut) un équipotentiel terre / neutre est réalisé en reliant ensemble les fils neutre et terre (jaune – vert et bleu).

**Schéma équivalent**



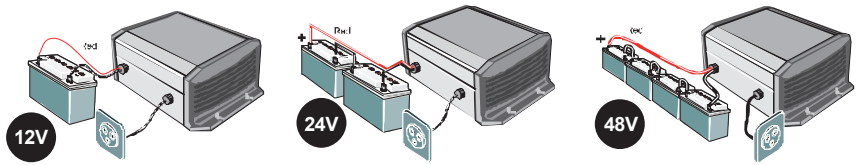
**Schéma équivalent**



**Raccordement de la batterie**

Assurez-vous qu'aucun contact avec des personnes ne soit possible sur le coté 230 V avant de raccorder la batterie.

Le câble de la batterie est livré avec l'onduleur



et est déjà raccordé à l'intérieur de celui-ci.  
Raccordez la batterie **en faisant très attention à la polarité**. L'onduleur, est protégé de l'inversion de polarité par un fusible, **à l'exception du AJ 2100-12**. Cependant, si la polarité est inversée, l'onduleur doit être retourné en usine pour contrôle.

Raccordez la batterie en utilisant les câbles aux couleurs suivantes :

Câble NOIR : Pôle négatif (-)

Câble ROUGE : Pôle positif (+).

Pour AJ 275-350-400 appliquer la couleur dominante comme couleur de référence.

En branchant la batterie il y a une étincelle (**Danger d'explosion !**), en raison du chargement du condensateur interne. Un fusible de sécurité incendie doit être monté sur la batterie.

#### **Vérifiez le serrage des câbles.**

Dans la mesure du possible ne rallongez pas les câbles de batteries fournis. Le fait de rallonger les câbles de batterie peut augmenter les pertes et provoquer un dysfonctionnement de l'onduleur.

Une fois l'onduleur branché sur la batterie, la tension 230 V est présente à la sortie de l'onduleur.

## **Utilisation**

### **Commande et indicateurs**

#### **Bouton de commande marche/arrêt (on/off)**

Un bouton de commande est accessible sur l'onduleur. Il permet de l'enclencher ou de le déclencher. Utilisez cette fonction pour économiser l'énergie des batteries lorsque vous n'utilisez pas l'onduleur.

#### **Indicateur vert**

Un indicateur lumineux vert placé sur l'onduleur indique le mode de fonctionnement :

**Allumé** : La tension 230 V est présente à la sortie ; l'onduleur est en fonction.

#### **Clignotant** :

— — — : L'onduleur est en mode stand-by.

— — — : La tension 230 V est coupée momentanément suite à une alarme;

l'onduleur se remettra automatiquement en fonction dès que l'alarme aura disparu. (voir tableau des fautes ci-dessous)

**Eteint**: La tension 230 V n'est pas présente à la sortie ; l'onduleur est éteint.

#### **Indicateur sonore**

L'onduleur AJ dispose d'un indicateur sonore qui signale les cas suivants :

**Son intermittente** : L'onduleur est en présence d'une faute et va couper la tension de sortie.

Fautes possibles :

Surchauffe: l'indicateur sonne 3°C

Avant l'arrêt de l'onduleur, Diminuez la charge afin d'abaisser la température de l'onduleur et ainsi éviter l'arrêt.

Sous tension de batterie : l'indicateur sonne une minute avant la coupure. Si la tension de batterie remonte, la tension de sortie n'est pas coupée.

**Son continu de deux secondes** : Vous avez appuyé sur le bouton ON/OFF pour redémarrer l'onduleur. La tension de sortie est immédiatement présente à la sortie après le signal sonore.

## **Modèles avec stand-by**

Les onduleurs dès l'AJ 500-12 sont équipés d'un système stand-by.

Le stand-by est un système d'économie d'énergie qui déclenche l'onduleur par intermittence lorsqu'aucun consommateur n'est détecté. Dans ce mode, l'indicateur lumineux vert clignote, indiquant la présence par intermittence de la tension.

Cet ajustement se fait à l'aide d'un petit tournevis dans le trou marqué stand-by. L'ajustement du niveau de détection s'effectue comme suit : éteindre tous les consommateurs, tourner le bouton rotatif vers la gauche (sens contraire des aiguilles d'une montre) jusqu'à que la LED clignote, allumer le plus petit consommateur (par ex. un chargeur pour tél. portable), tourner doucement le bouton rotatif vers la droite jusqu'à ce que la LED s'allume en continu. Contrôler que l'onduleur se mette en mode stand-by quand vous enlevez la charge. Sinon

cela signifie que la charge est trop petite pour être détectée.

Si le stand-by n'est pas souhaité, tourner le bouton complètement à droite.

La puissance minimale détectée peut être ajustée entre 1 et 20 W. **Dans la plupart des installations, ce réglage n'est pas utile.** Le

réglage se fait à l'aide d'un tournevis plat n°1 dans l'ouverture notée stand-by sur l'onduleur. Dans la position maximale à droite, la sensibilité est minimale (20 W). Ne pas appuyer sur le tournevis.

ATTENTION : en fonctionnement stand-by le 230V est présent par intermittence à la sortie.

## Sécurités

L'onduleur AJ est protégé de manière électronique. Il est protégé contre les inversions de polarité par un fusible interne, **à l'exception du modèle AJ 2100-12.** Le tableau ci-dessous donne les divers cas possibles de faute et les conséquences.

FAUTE	CONSEQUENCE	RESOLUTION
Tension de batterie basse <1,8V/élément	Onduleur stoppé momentanément, l'indicateur vert clignote.	Démarrage automatique dès que la tension de batterie sera remontée à 2V/élément.
Tension batterie <1,5V/élément	Onduleur stoppé indicateur vert éteint	Redémarrage manuel possible dès que la tension batterie est $\geq 2V/élément$ .
Surchauffe	Onduleur stoppé momentanément, l'indicateur vert clignote.	Démarrage automatique dès que la température de l'appareil aura baissé.
Surtension de batterie	Onduleur stoppé	Attendez que la tension de batterie soit à nouveau correcte. Une tension trop élevée peut détruire l'onduleur. Appuyez sur le bouton ON/OFF pour redémarrer l'onduleur.
Court-circuit en sortie	Onduleur stoppé	Supprimez le court-circuit. Appuyez sur le bouton ON/OFF pour redémarrer l'onduleur.
Surcharge	Onduleur stoppé	Utilisez l'onduleur dans les limites de sa puissance nominale. Une utilisation prolongée ou régulière en surcharge diminuera sa durée de vie. Appuyez sur le bouton ON/OFF pour redémarrer l'onduleur.
Inversion de polarité de la batterie	Fusible interne détruit	Retour en usine pour test.

## Maintenance

Les onduleurs de la série AJ ne nécessitent aucun entretien particulier. Le boîtier peut être nettoyé avec un chiffon humide (pas mouillé).

Si un dysfonctionnement ou une déformation mécanique de la boîte ou des câbles devait apparaître, l'onduleur doit être envoyé, **soigneusement emballé** dans son emballage d'origine, au fournisseur pour contrôle.

Avant d'envoyer l'onduleur, veuillez contrôler les points ci-dessous.

- La batterie est chargée et correspond à la tension nominale d'entrée de l'appareil.
- Les consommateurs ne présentent aucun défaut ou surcharge pour l'onduleur. (Pour s'en assurer, débrancher les consommateurs).

Si toutefois vous devez prendre contact avec votre revendeur, veuillez noter les points suivants avant d'appeler :

(vous trouverez ces indications sur l'étiquette au-dessous de l'onduleur ou du côté de l'embranchement du câble)

- Le type exact de l'onduleur
- Le numéro de série
- La puissance de l'onduleur
- La tension nominale d'entrée de l'onduleur

**Avant l'envoi de l'onduleur, veuillez qu'il soit bien emballé, l'onduleur doit être mis dans un carton rigide et être bien protégé de tous côtés ainsi que dessous, d'une couche d'isolante antichoc d'au moins 5cm d'épaisseur. Une mauvaise protection peut causer des dommages à l'onduleur lors du transport.**

**Les dégâts causés lors du transport ne sont pas couverts par la garantie.**

### Exclusion de la garantie

La garantie est de 2 ans. Elle ne couvre pas les cas de défauts survenus lors d'un usage non conforme à la description du manuel d'instructions ou non décrit par celui-ci, ou de tout autre usage inapproprié, notamment pour les onduleurs les événements suivants :

- Inversion de la polarité sur l'entrée batterie.

- Tension inappropriée sur les entrées (surtension).
- Mise en contact de la sortie avec une autre source de tension tel que réseau public ou générateur.
- Déformation mécanique.
- Mise en contact avec un liquide ou oxydation due à la condensation. Usage dans un environnement inadéquat. (poussière, vapeur corrosive, humidité, température élevée, etc.)

### Exclusion de la responsabilité

La pose, la mise en fonction, l'utilisation, la maintenance et le service ne peuvent pas faire l'objet d'une surveillance par la société STECA GMBH. Pour cette raison, nous déclinons toute responsabilité pour les dommages, les coûts ou les pertes résultants d'une installation non conforme aux prescriptions, d'un fonctionnement défectueux ou d'un entretien déficient.

L'utilisation des onduleurs STECA GMBH relève dans tous les cas de la responsabilité du client.

Cet appareil n'est pas conçu ni garanti pour l'alimentation d'installations destinées à supporter la vie ou toute autre installation critique comportant des risques potentiels de dégâts à l'homme ou à l'environnement. Nous n'assumons en outre aucune responsabilité pour les violations de droits de brevets ou d'autres droits de tiers résultant de l'utilisation de l'onduleur.

STECA GMBH se réserve le droit de toute modification sur les produits sans communication préalable.

### J T8 Commande à distance pour AJ 1000-2400

Les fonctions de la télécommande sont les mêmes que les fonctions disponibles sur l'onduleur. (Voir chapitre Utilisation)



A 112 4

## Données techniques

<b>MODELE</b>	<b>AJ 275</b>	<b>AJ 350</b>	<b>AJ 400</b>	<b>AJ 500</b>	<b>AJ 600</b>	<b>AJ 700</b>
Tension de batterie (V)	12	24	48	12	24	48
Tension d'entrée (V)	10.5-16	21-32	42-64	10.5-16	21-32	42-64
Puissance continue/30' (VA)	200/275	300/350	300/400	400/500	500/600	500/700
Stand-by / ON à vide (W)	0.3*/2.4	0.5*/3.5	1.1*/5.2	0.4/4.6	0.6/7.2	1.5/12
Rendement maximal en (%)	93	94	94	93	94	94
Dim. 142 x 84 x L (mm) L=	163			240252		
Poids en (kg)	2.4	2.6		4.5		
Commande à distance RCM-01	Option			Option		
Détection (Stand-by) 1 à 20 W	avec option S			oui		

<b>MODELE</b>	<b>AJ 1000</b>	<b>AJ 1300</b>	<b>AJ 2100</b>	<b>AJ 2400</b>
Tension de batterie (V)	12	24	12	24
Tension d'entrée (V)	10.5 - 16	21 - 32	10.5 - 16	21 - 32
Puissance continue/30' (VA)	800/1000	1000/1300	2000/2100	2000/2400
Stand-by / ON à vide (W)	0.7 / 10	1.2 / 13	0.7 / 16	1.2 / 16
Rendement maximal en (%)	93	94	92	94
Dim. 142 x 84 x L (mm) L=	428		273 x 399 x 117	
Poids en (kg)	8.5		19	18
Télécommande (JT8)	Option		Option	
Détection (Stand-by) 1 à 20 W	oui		oui	

Tension de sortie	Sinus 230V 0/-10% (115V 0/-10%)
Fréquence	50 Hz +/- 0.05 % (60 Hz +/-0.05%)
Ventilation	Dès 45° C
Protection thermique	oui
Protection surcharge	oui
Protection court-circuit	oui (fusible)
Degré de protection IP	IP 30 (AJ 2100-2400 = IP 20)
Cos φ	0.1-1
Norme E (ECE-R 10)	Tous les modèles en 12 et 24V sont certifiés

# Descripción en español

## Introducción

Los onduladores de la Serie AJ están concebidos para la operación de todos los equipos de 230V de uso comercial. Los AJ cumplen con las exigencias de fiabilidad, seguridad y confort más altas.

Cualquier equipo apto para la red alterna de 230V puede ser operado con un ondulator AJ. Un AJ es la fuente de tensión ideal para aquellos lugares adonde la red pública no llega.

Esta descripción forma parte de la entrega de un AJ y ¡tiene que estar accesible a todas las personas que trabajen con un AJ!

En caso de preguntas o dudas su vendedor puede darle información.

## Atención:

¡Un tratamiento o montaje incorrecto del ondulator puede tener consecuencias graves!

Al igual que la red pública el AJ genera una tensión sinusoidal de 230V. ¡Cualquier contacto físico puede tener consecuencias fatales! Los trabajos de instalación del ondulator AJ exigen gran cuidado y sólo pueden ser realizados por personal capacitado y en todo caso tienen que cumplir las prescripciones de instalación vigentes para el caso.

## El AJ no deberá ser abierto bajo ninguna circunstancia.

La apertura o aplicación inadecuada del AJ conllevan a la pérdida de la garantía.

El AJ no deberá ser operado con otras fuentes de tensión o de corriente que no sean baterías de plomo.

A la salida del AJ no deberán ser conectadas fuentes de tensión o de corriente como generadores de emergencia, la red pública etc., ya que el ondulator podría ser destruido.

**El empleo de baterías requiere de especial cuidado. Para ello se deberán seguir sin falta las instrucciones del fabricante de la batería.**

## Instalación

El ondulator sinusoidal AJ es un aparato electrónico que requiere algunas medidas de precaución para su instalación.

El lugar de montaje debe ser inaccesible para personas no autorizadas (especialmente niños pequeños).

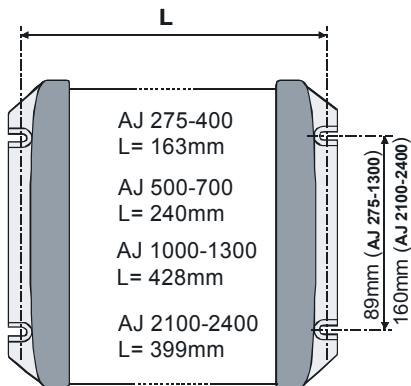
El lugar de montaje debe ser seco, con una humedad del aire de máx. 95% sin condensación,

y no estar directamente sobre la batería.

Se deberá dejar un espacio libre de 10cm ante las ranuras de entrada y salida de aire para garantizar una ventilación adecuada del ondulator.

## Fijación del AJ

El ondulator puede ser montado en cualquier posición mediante 4 tornillos (diámetro máx. para los AJ 275-AJ 1300: 4mm, o diámetro máx. para los AJ 2100 y 2400: 8mm). Para la fijación del ondulator se deberá usar exclusivamente los 4 orificios en los lados exteriores. Los tornillos de fijación no están incluidos en la entrega.



## Conexión

La conexión del AJ deberá realizarse con especial cuidado; esto garantizará el funcionamiento correcto y seguro del equipo. Encontrará los datos del equipo y las denominaciones de las conexiones en el lado inferior de la caja o en el lado de conexión de los cables. Antes de conectar el AJ a la batería se deberá poner un enchufe hembra en el cable OUT 230V, o, en caso de instalación fija, la conexión deberá ser realizada por personal capacitado acorde a las prescripciones de instalación vigentes.

### Conexión de los usuarios

El ondulador AJ viene de fábrica con los cables ya conectados. El cable negro de 3 conductores para la salida de 230V deberá ser conectado según los colores como sigue:

amarillo/verde: tierra

marrón: fase

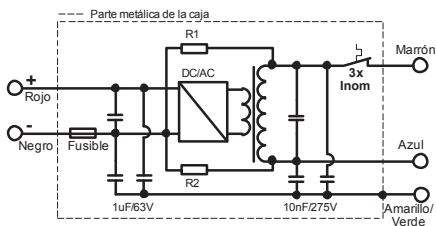
azul: neutro

Antes de conectar la batería deberá asegurarse que los usuarios conectados estén apagados.

Observación: Un ondulador es una fuente de tensión independiente de la red, comparable con un generador de emergencia, por lo que se puede invertir la fase y el neutro. Entre la fase y el neutro hay una tensión de 230V.

Entre la fase y la tierra, así como entre el neutro y la tierra hay 115V. En dependencia de las prescripciones de instalación pueden unirse el neutro y la tierra.

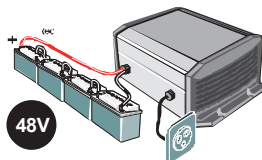
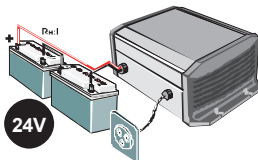
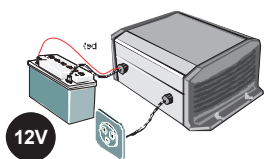
### Esquema básico de conexiones



### Conexión de la batería

Antes de conectar la batería deberá asegurarse que la instalación de 230V fue realizada acorde a las prescripciones.

El AJ viene de fábrica con los cables de la batería ya conectados. **Se deberá tener en**





**cuenta sin falta que la batería tiene que ser conectada con la polaridad correcta. Con excepción del AJ 2100-12 los AJ cuentan con un fusible de protección contra polaridad invertida. En caso que sea necesario cambiar el fusible se deberá enviar el AJ al vendedor competente.**

Conductor negro: polo negativo (-)

Conductor rojo: polo positivo (+)

¡Los cables de los AJ 275-350-400 tienen otros colores!

Conecte el AJ a la batería. Cuando conecte la batería se producirá una chispa (**¡PELIGRO DE EXPLOSIÓN!**) a causa de la carga interna de los condensadores. ¡La batería tiene que estar protegida por un fusible en el borne!

**Controle que las conexiones estén bien atornilladas.**

Los cables de la batería no deben ser prolongados, ya que una extensión significa mayores pérdidas y/o fallas de funcionamiento del AJ y, por consiguiente, de los equipos conectados.

En cuanto el AJ es conectado a la batería se enciende y en la salida hay 230V.

## Aplicaciones

### Manejo e indicaciones

#### Tecla ON/OFF

Con esta tecla se puede encender y apagar el AJ. Apague el ondulador con esta tecla cuando no necesite energía.

#### LED verde

El diodo luminoso (Light Emitting Diode) de color verde indica el estado del ondulador.

**LED encendido:** El ondulador está funcionando – en la salida hay 230V.

#### LED parpadeante:

— — — El ondulador está en stand by.

— — — El ondulador está apagado temporalmente a causa de una alarma. Cuando cese la alarma el ondulador se vuelve a encender

automáticamente. (Las posibles causas de alarma están listadas en la tabla más abajo.)

**LED apagado:** El ondulador está apagado – en la salida no hay tensión de 230V.

#### Señales acústicas

El ondulador AJ está equipado con un emisor de señales acústicas que emite señales en los siguientes casos:

- **Sonido intermitente:** Esta señal indica que el ondulador se encuentra en estado de alarma y que la tensión de salida será desconectada en breve.

Posible error: Recalentamiento: Se da la alarma 3°C antes de que el ondulador se apague. Desconecte una parte de la carga para que el ondulador deje de estar sobrecargado y se puede enfriar.

Subtensión en la batería: Cuando la tensión de la batería baja demasiado, el ondulador emite una señal durante un minuto antes de apagarse.

- **Señal continua por 2 seg.:** Esta señal es emitida al encender el ondulador con la tecla ON/OFF e indica que está encendido y que en la salida hay 230V!

#### Reconocimiento de carga con stand by

Todos los onduladores STECA GMBH de la serie AJ están equipados con la función de stand by. Para no descargar la batería innecesariamente el ondulador se apaga automáticamente cuando no hay usuarios conectados y se vuelve a encender automáticamente cuando se conecta un usuario. Cuando el ondulador está en stand by el LED parpadea. Con un destornillador pequeño se puede regular el nivel de encendido en el botón giratorio "STAND-BY". Para regular el nivel de encendido siga estos pasos: Apague todos los usuarios; gire el botón giratorio hacia la izquierda (contrario a las manecillas del reloj) hasta que el LED parpadee; encienda el usuario menor (p.ej. el cargador del teléfono móvil); gire el botón lentamente hacia la derecha hasta que el LED

se encienda. Para controlar la función apague el usuario menor; el ondulator tiene que ponerse en stand by después de algunos segundos. Si esto no sucediera, la carga del usuario es demasiado pequeña para ser reconocida.

Si no desea la función de stand by, deberá girar el botón giratorio hacia la derecha hasta el tope.

ATENCIÓN: ¡A veces incluso en stand by en la salida hay 230V!

## Seguridad

Los ondulatores AJ están protegidos por diversos sistemas electrónicos. La protección contra polaridad invertida está a cargo de un fusible. **¡El AJ 2100-12 no tiene fusible y, por tanto, no está protegido contra polaridad invertida!**

<i>ERROR</i>	<i>EFECTO</i>	<i>SOLUCIÓN</i>
Tensión de la batería demasiado baja	El ondulator se apaga temporalmente. El LED verde parpadea.	Después que la tensión de la batería haya subido el ondulator se vuelve a conectar automáticamente.
La tensión de la batería es menor que 1,5V por elemento.	El ondulator se apaga. El LED verde se apaga.	Se podrá encender el ondulator sólo cuando la batería haya alcanzado 2V por célula. No hay encendido automático.
Recalentamiento	El ondulator fue sobrecargado; el LED verde parpadea.	El ondulator se vuelve a encender automáticamente cuando se haya enfriado.
Sobretensión en la batería	El ondulator se apaga.	Controle la tensión de la batería y aplique la tensión correcta. Encienda el ondulator con la tecla ON/OFF.
Cortocircuito en la salida del ondulator	El ondulator se apaga.	Repare el cortocircuito (controle la instalación). Encienda el ondulator con la tecla ON/OFF.
Sobrecarga en el ondulator	El ondulator se apaga.	Use el ondulator dentro de los límites de su potencia nominal. ¡La operación regular con sobrecarga acorta la vida útil del ondulator! Encienda el ondulator con la tecla ON/OFF.
Conexión de la batería con polaridad invertida	El ondulator se apaga; el fusible interno se fundió.	¡Lleve el ondulator a su vendedor para que lo controle!

## Mantenimiento

Los ondulatores AJ no necesitan mantenimiento. En caso necesario se puede limpiar la caja con un paño húmedo (no mojado).

En caso de mal funcionamiento se deberá enviar el ondulator **muy bien empacado** al vendedor para que lo controle. Se deberá

deformación exterior de la caja o daño del cable de conexión.

En caso de mal funcionamiento se deberá esclarecer los siguientes puntos antes de enviar el AJ al vendedor.

¿Está cargada la batería y se corresponde su tensión con la tensión de entrada del AJ?

¿Se corresponden los usuarios conectados con los límites de potencia del ondulator?

¿Está defectuoso el usuario o es su corriente de arranque demasiado alta? (p.ej. los refrigeradores de compresión no pueden ser operados con un AJ 275-12.)

Si después de chequear estos puntos tiene que contactar al vendedor, anote por favor estos datos: (Se encuentran en el lado inferior o en el lado del cable de conexión del AJ)

- Número de serie del ondulador
- Potencia del ondulador
- Tensión nominal del ondulador

**Para el envío por correo use por favor sin falta un buen embalaje. El AJ tiene que estar embalado en un cartón duro y protegido por todos los lados, también por debajo, con un material amortiguador de un grosor mínimo de 5cm. Los daños de transportes causados por un embalaje deficiente no serán en ningún caso cubiertos por la garantía.**

### Exclusión de garantía

La garantía no cubre daños ocasionados por usos, manipulaciones, operaciones y tratamientos que no hayan sido expuestos expresamente en estas instrucciones de servicio.

A continuación se listan los casos expresos que no están cubiertos por la garantía:

- Sobretensiones en las entradas (p.ej. 48V en la entrada de la batería de un AJ 275-12)
- Polaridad invertida (instalación de la batería con +/- invertidos)

- Líquidos derramados que hayan penetrado en el interior del aparato u oxidación como resultado de la condensación
- Defectos causados por solicitaciones mecánicas
- Cambios no autorizados expresamente por STECA GMBH
- Tornillos o tuercas no atornillados o atornillados deficientemente después del cambio de fusibles o cables de conexión
- Conexión de otras fuentes de energía que no sean módulos fotovoltaicos a la entrada "SOLAR+/-"
- Daños de transporte p.ej. causados por tratamiento o embalaje inadecuados

### Exoneración de responsabilidad

Tanto la observancia de estas instrucciones, así como las condiciones y los métodos de instalación, operación, uso y mantenimiento de estos aparatos son imposibles de controlar por la empresa STECA GMBH. Por tanto, no asumimos ninguna responsabilidad por daños, pérdidas y costos causados por o relacionados de cualquier forma con una instalación errónea, una operación inadecuada o un uso o mantenimiento erróneos. Igualmente, no asumimos ninguna responsabilidad por violaciones del derecho de patente o violaciones de derechos de terceros que resulten del uso de este aparato.

La empresa STECA GMBH se reserva el derecho de efectuar cambios en los datos técnicos, en el producto o en las instrucciones de servicio.

## JT8 Control remoto para los AJ 1000-2400

Las funciones e indicaciones del control remoto son las mismas que las del ondulador (ver pág. 11).

El control remoto se conecta con el cable de 10m de longitud incluido en la entrega del control remoto. También puede ser conectado con un conector RJ11/6p 1:1 de uso comercial y un cable de una longitud máxima de 50m.



## Données techniques

<b>MODELE</b>	<b>AJ 275</b>	<b>AJ 350</b>	<b>AJ 400</b>	<b>AJ 500</b>	<b>AJ 600</b>	<b>AJ 700</b>
Tension de batterie (V)	12	24	48	12	24	48
Tension d'entrée (V)	10.5-16	21-32	42-64	10.5-16	21-32	42-64
Puissance continue/30' (VA)	200/275	300/350	300/400	400/500	500/600	500/700
Stand-by / ON à vide (W)	0.3*/2.4	0.5*/3.5	1.1*/5.2	0.4/4.6	0.6/7.2	1.5/12
Rendement maximal en (%)	93	94	94	93	94	94
Dim. 142 x 84 x L (mm) L=	163			252		
Poids en (kg)	2.4	2.6		4.5		
Commande à distance RCM-01	Option			Option		
Détection (Stand-by) 1 à 20 W	avec option S			oui		

<b>MODELE</b>	<b>AJ 1000</b>	<b>AJ 1300</b>	<b>AJ 2100</b>	<b>AJ 2400</b>
Tension de batterie (V)	12	24	12	24
Tension d'entrée (V)	10.5 - 16	21 - 32	10.5 - 16	21 - 32
Puissance continue/30' (VA)	800/1000	1000/1300	2000/2100	2000/2400
Stand-by / ON à vide (W)	0.7 / 10	1.2 / 13	0.7 / 16	1.2 /16
Rendement maximal en (%)	93	94	92	94
Dim. 142 x 84 x L (mm) L=	428		273 x 399 x 117	
Poids en (kg)	8.5		19	18
Télécommande (JT8)	Option		Option	
Détection (Stand-by) 1 à 20 W	oui		oui	

Tension de sortie	Sinus 230V 0/-10% (115V 0/-10%)
Fréquence	50 Hz +/- 0.05 % (60 Hz +/-0.05%)
Ventilation	Dès 45° C
Protection thermique	oui
Protection surcharge	oui
Protection court-circuit	oui (fusible)
Degré de protection IP	IP 30 (AJ 2100-2400 = IP 20)
Cos φ	0.1-1
Norme E (ECE-R 10)	Tous les modèles en 12 et 24V sont certifiés

## DECLARATION OF CONFORMITY C €

**Manufacturer's Name:** **STUDER INNOTEC**

Manufacturer's address: Rue des Casernes 57, CH - 1950 Sion

Declares that the product: Sine wave inverter

Product Name: ***AJ series***

**Model Number:** **AJ 275-12, AJ 350-24, AJ 400-48  
AJ 500-12, AJ 600-24, AJ 700-48  
AJ 1000-12, AJ 1300-24  
AJ 2100-12, AJ 2400-24**

Product options and accessories: Solar charge controller (S)  
Remote control JT8  
Remote control plug RCM-01

Comply with the following norms: - EMC Dir. 89 / 336 / EEC  
- EN 61000-6-1  
- EN 61000-6-3  
- EN 61000-3-2  
- EN55022  
- EN 55014  
- EN 50091-2  
- LVD 73 / 23 / EEC  
- EN 60950-1

**Roland Studer / Director**

Full name / position

**2004/04/04**

Date



Signature



714307